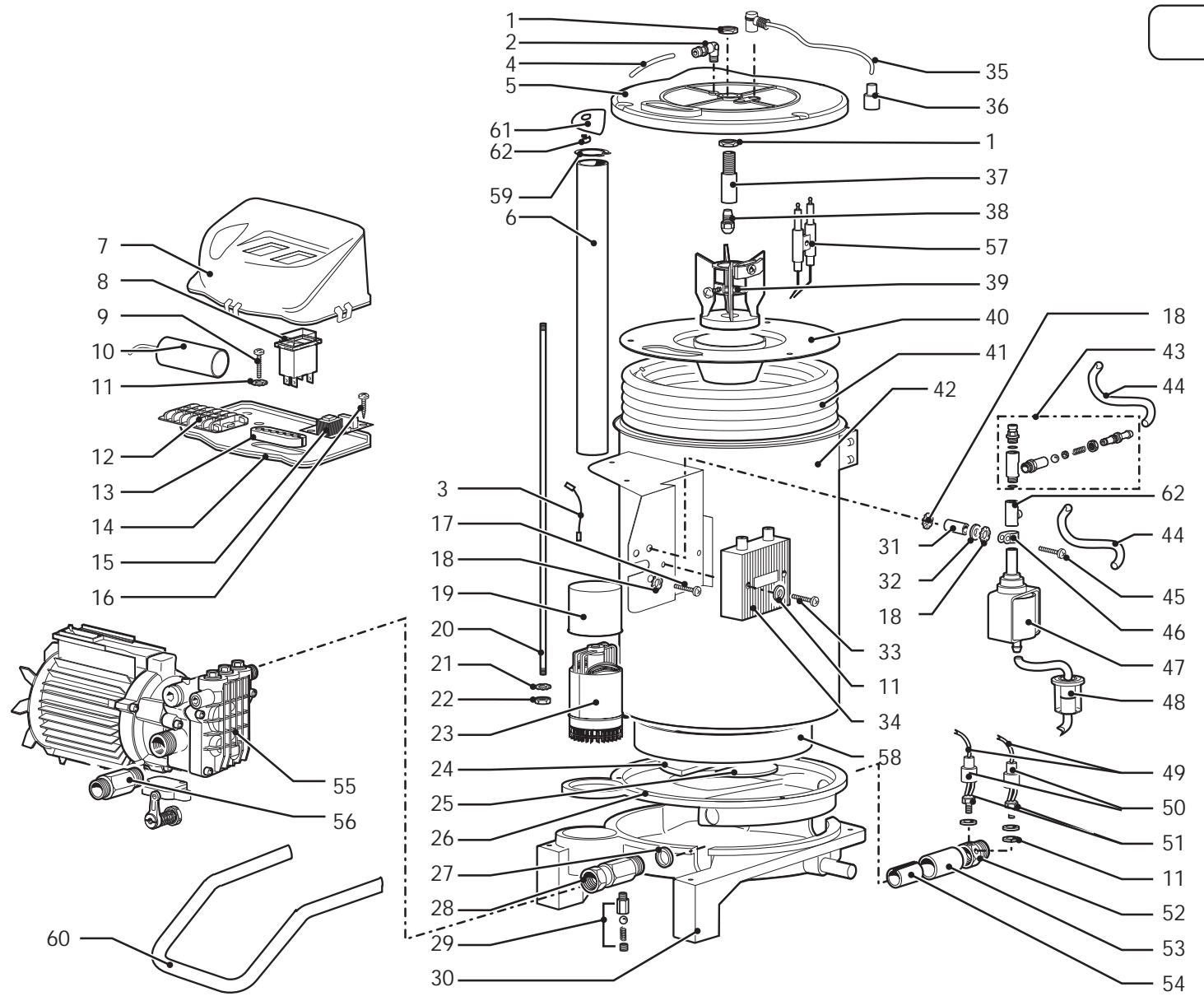


E8052X001/03



BOILER - Content filters: validity 03/04/2019



R8052X801-1 - BOILER

Validity: from 04/11/2005 to 01/01/3000

Pos.	Code	Substituted by	Q.ty	Purchasable	Min. Q.ty	For mainten.	Description
001	4.007.0183		2	No			NUT FOR PIN NOZZLE HOLDER
002	3.100.0075		1	Yes	2		CONIC CONNECTION M 1/8 F D.4 CURVED FOR GASOIL HOSE VITON O-
003	4.012.0102		2	Yes	4		CABLE L=600 SEC.0,75 IEC227-3/1979
004	4.608.0145		1	Yes	12		RILSAN GASOIL HOSE X PARANA' L=500
005	4.005.0194		1	Yes	1		CAP FOR BOILER FKX
006	4.007.0303		1	Yes	2		TUBE D.40 L=325 FE 37 PREZINCED
007	4.008.0915	4.008.1169	1	Yes	4		ELECTRIC BOX PANEL
008	5.009.0213		2	Yes	3	EXT	SWITCH WITH PROTECTION 12(10)
009	3.002.0106		2	Yes	12		SELF TAPPING CROSS HEAD SCREW3.9X16
010	3.404.0017		1	Yes	2		CAPACITOR 25mF 450V D.39x94 F/M
011	3.004.0002		6	Yes	12		PLAIN WASHER 4.3X9X0.8 UNI6592
012	3.405.0011		1	Yes	2		TERMINAL BOARD PA 32/6
013	4.008.0127		1	Yes	3		CABLE HOLDER FOR ELECTRICAL BOX
014	4.008.0446		1	Yes	3		ELECTRICAL BOX BASE
015	3.403.0012		1	Yes	1		ELECTRICAL BOARD
016	3.002.0132		2	Yes	12		SELF-TAPPING SCREW TC-TC 3,5X9,5 UNI6954 ZNT
017	3.002.0080		2	Yes	12		SCREW TC M4X12
018	3.004.0003		3	Yes	12		WASHER D.4X8 DIN6798 ZNT
019	4.008.0470		1	Yes	12		FAN MOTOR COVER
020	4.007.0180		3	Yes	3		BOILER STAY M6X352
021	3.004.0010		6	Yes	12		WASHER D6X11 Sp0,7 DIN6798A ZNT
022	3.003.0011		6	Yes	12		NUT M6 UNI 5588
023	3.304.0005		1	Yes	1		BURNER MOTOR 230/50 C/W FAN, FLANGE, CABLES AND COVER
024	4.008.0658		1	Yes	4		THERMORESISTANT FELT BOTTOM PLATE X FKX/PARANA'
025	4.008.0450		1	Yes	2		THERMORESISTANT PAD
026	4.007.0158		1	Yes	1		BOILER PAD
027	4.007.0200		1	Yes	12		WASHER20.2X26X3
028	4.007.0307	6.005.0319	1	Yes	1		JUNCTION
029	3.106.0004	5.609.0260	1	Yes	1		SECURITY VALVE G1/8 M D6 200BAR MTM 00036021
030	4.005.0186		1	Yes	1		BOILER BASE PLATE X FKX (LIKEDIE CASTING)
031	4.007.0185		1	Yes	5		SPACER FOR FIXING CLAMP

BOILER - Content filters: validity 03/04/2019



R8052X801-1 - BOILER

Validity: from 04/11/2005 to 01/01/3000

03/04/2019

Page 2 / 3

Pos.	Code	Substituted by	Q.ty	Purchasable	Min. Q.ty	For mainten.	Description
032	3.004.0026		1	Yes	12		PLAIN WASHER D.4.3X12 UNI6593
033	3.002.0179		2	Yes	12		SCREW 3,9X50
034	5.009.0545	5.009.0686	1	Yes	1	EXT	TRANSFORMER 230-240/50-60 S/CAV C/PIPETTE FKX-PARANA'
037	4.006.0187		1	Yes	4		NOZZLE HOLDER PIN
038	3.104.0008		1	Yes	1	EXT	GAS OIL NOZZLE 0.60 60/A MONELFILTER
039	3.099.0296	6.005.0307	1	Yes	1		COMPLETE ELECTRODE DEFLECTORDID.2 FKX
040	5.013.0027		1	Yes	1		DISK HEAD HOLDER
041	4.604.0011		1	Yes	1		COIL D.202
042	5.013.0050		1	Yes	1		BODY BOILER
043	5.009.0304		1	Yes	1		ADJUSTING VALVE SET (SPRING L=20)
044	4.008.0465		1	Yes	12	EXT	PVC PIPE
045	3.002.0146		1	No			SCREW TC TORX 4X35
046	3.099.0110		1	Yes	12		D.12 CLAMP
047	3.551.0014		1	Yes	1		GASOIL PUMP
048	5.011.0043	5.611.0043	1	Yes	2	EXT	GASOIL FILTER GROUP
049	3.411.0001		0.6	Yes	1		ELECTROLYTIC PIPE D.4
050	4.608.0038		1	Yes	12		RUBBER PROTECTION FOR THERMIC
051	3.403.0003		2	Yes	1		THERMAL PROTECTOR L01.090.05.700
052	4.606.0002		1	Yes	5		DELIVERY CONNECTION
053	4.007.0322		1	Yes	12		TUBE FKX L=42
054	4.008.0449		1	Yes	12		THERMORESISTANT COUPLING BOW 17X23XL40
055	5.001.0569	5.001.0824	1	Yes	1		MOTORPUMP
056	5.009.0611		1	Yes	2		INLET JOINT WITH GASKET
058	4.008.0503		1	Yes	2		BAND IN CERAMIC FIBER
060	4.007.0256		1	Yes	1		BASE FKX
061	4.008.0748		1	Yes	3		BOILER LOCKING CAP FOR FKX REGULATION
062	4.008.0749		1	Yes	3		AIR REGULATION THROTTLE FOR FKX

BOILER - Content filters: validity 03/04/2019